

**10/12.5MVA,  
69000 / 6900V  
Power Transformer  
By ANSI**

[www.hctr.co.kr](http://www.hctr.co.kr)

**6900V**

**10-12.5MVA**

# HAN CHANG TRANSFORMER

**10/12.5MVA, 69000 Delta volts – 6900 Star volts,  
POWER TRANSFORMER**

## Technical Specification

|                        |                          |
|------------------------|--------------------------|
| Applicable standard    | ANSI 60076-1             |
| Final paint color      | MUNSELL # 5Y-7/1         |
| Insulating oil         | Mineral Oil              |
| Rated capacity         | 10/12.5 MVA              |
| Phase/Rated frequency  | 3P / 60Hz                |
| Rated voltage H.V      | 69000V Delta             |
| Rated voltage L.V      | 6900V Star               |
| Tap voltage            | 5 TAPS                   |
| Tap changing method    | De-energized Tap Changer |
| Connection or polarity | Dyn1                     |
| Cooling method         | ONAN/ONAF                |
| Efficiency             | 99.43%                   |

## Size

|        |          |
|--------|----------|
| Length | 140 inch |
| Width  | 141 inch |
| Height | 149 inch |

## Accessory

- ✓ Liquid Level Indicator
- ✓ Liquid Temp Indicator
- ✓ Winding Temp Indicator
- ✓ Pressure Relief Device

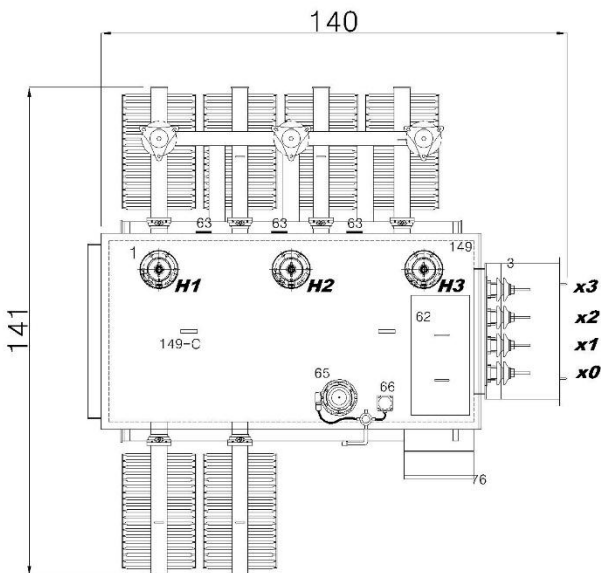
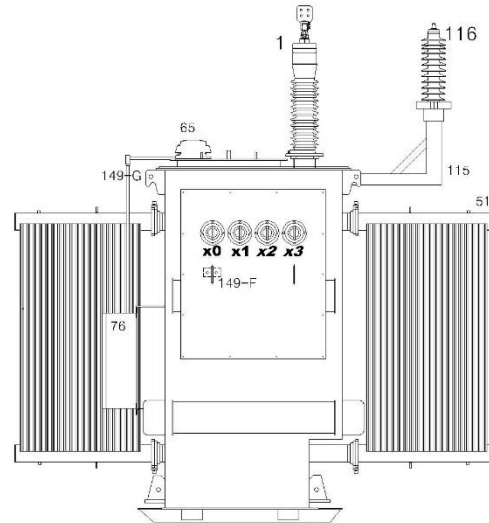
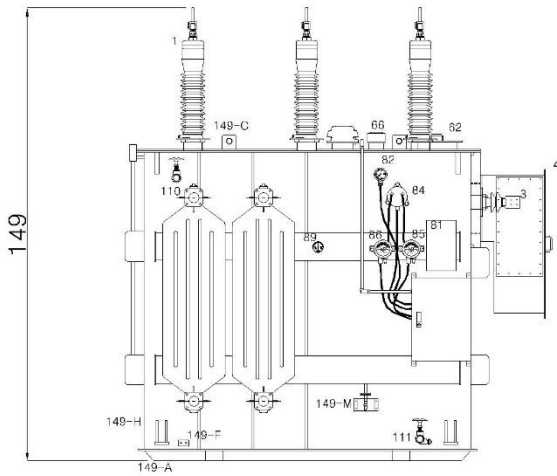
## Weight

|       |           |
|-------|-----------|
| Oil   | 1650 gal  |
| Total | 52180 lbs |

# HAN CHANG TRANSFORMER

**10/12.5MVA, 69000 Delta volts – 6900 Star volts, POWER TRANSFORMER**

## OUT LINE



| NO | DESCRIPTION                        | NO    | DESCRIPTION                   |
|----|------------------------------------|-------|-------------------------------|
| 1  | HV BUSHING, 3-TOTAL                | 89    | PRESSURE VACCUM GAUGE         |
| 3  | LV BUSHING, 4-TOTAL                | 110   | FILLING VALVE                 |
| 4  | L.V CABLE BOX                      | 111   | 2 INCH DRAIN & SAMPLING VALVE |
| 51 | RADIATORS                          | 112   | DE-ENERGIZED TAP CHANGER      |
| 62 | L.V MANHOLE                        | 115   | HV ARRESTER BRAKET            |
| 63 | H.V MANHOLE                        | 116   | HV ARRESTER                   |
| 65 | PRESSURE RELIEF DEVICE             | 149   | COVER WELDED TO TANK          |
| 66 | BCT TERMINAL BOX                   | 149-A | BASE WELDED TO TANK           |
| 76 | CONTROL BOX                        | 149-C | LIFTING HOOKS                 |
| 81 | NAME PLATE                         | 149-F | GROUND PAD                    |
| 82 | LIQUID LEVEL INDICATOR             | 149-G | LIFTING LUG                   |
| 84 | THERMAL PLATE WITH TWO THERMOWELLS | 149-H | JACKING PAD                   |
| 85 | LIQUID TEMPERATURE INDICATOR       | 149-J | TANK BRACE                    |
| 86 | WINDING TEMPERATURE INDICATOR      | 149-M | FITTING FOR ADDING GAS SPACE  |

# HAN CHANG TRANSFORMER

**10/12.5MVA**, 69000 Delta volts – 6900 Star volts,  
**POWER TRANSFORMER**

## Ref. Photos



# INQUIRY

## REPUBLIC OF KOREA

Mr. Michael Jang

[michael@transformerprice.com](mailto:michael@transformerprice.com)

## CHICAGO, IL, US

Mr. Lee Han

[hanstar912@gmail.com](mailto:hanstar912@gmail.com)

## LONG BEACH, CA, US

Mr. Gary Roberts

[gdr97504@gmail.com](mailto:gdr97504@gmail.com)

Republic of Korea

1593-3 Songjung-dong,  
Ganseo-gu, Busan

Phone: +82 51 831 3470

Fax: +82 51 831 3477

[www.hctr.co.kr](http://www.hctr.co.kr)



© 2013 Hanchang Transformer co., Ltd. All rights reserved. The information in this publication is provided without any express or implied representation or warranty in relation to any contract which may be entered into. Hanchang shall not be responsible for any loss or damage of whatsoever nature [including consequential loss or damage] suffered or incurred, directly or indirectly, by the reader or any other person as a result of relying on the information contained in this publication.



Quality  
ISO 9001  
ISO 14001

HANCHANG TRANSFORMER CO., LTD.