

2500 / 3125 kVA,
16500 / 600V
Distribution Transformer
By ANSI

www.hctr.co.kr



HAN CHANG TRANSFORMER

**2500 / 3125 kVA, 16500 Delta / 600 Star volts,
DISTRIBUTION TRANSFORMER**

Technical Specification

Applicable standard	ANSI C57.12.00
Final paint color	MUNSELL # 5Y-7/1
Insulating oil	Mineral Oil
Rated capacity	2500 / 3125 kVA
Phase/Rated frequency	3P / 60Hz
Rated voltage H.V	16500V Delta
Rated voltage L.V	600V Star
Tap voltage	5 TAPS
Tap changing method	De-energized Tap Changer
Connection or polarity	Dyn1
Cooling method	ONAN / ONAF
Efficiency	99.23%

Size

Length	78 inch
Width	88.5 inch
Height	90 inch

Weight

Oil	317 gal
Total	11,240 lbs

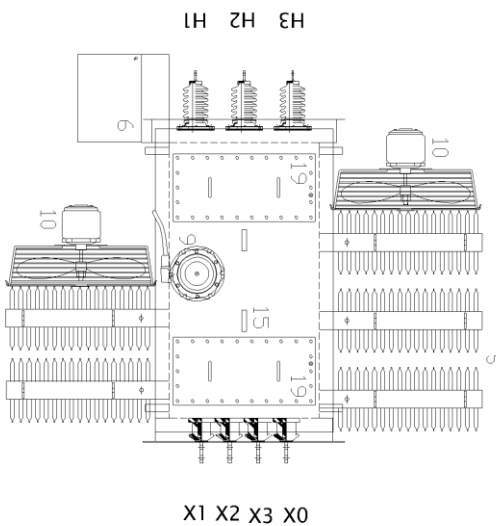
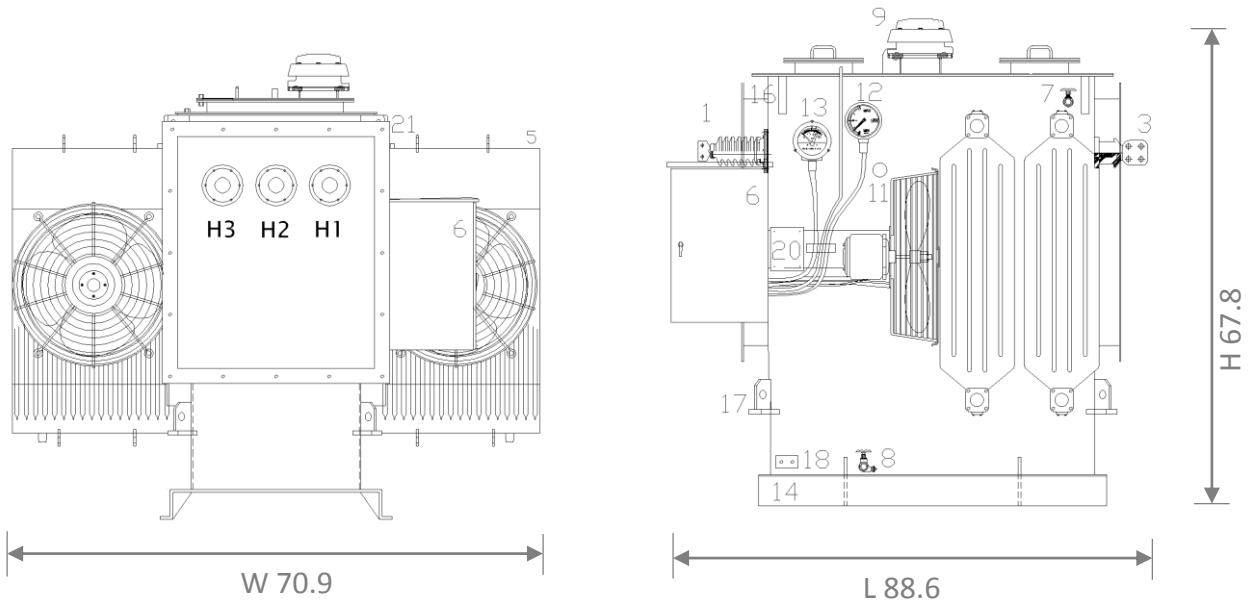
Core & Coil



HAN CHANG TRANSFORMER

2500 / 3125 kVA, 16500 Delta / 600 Star volts, DISTRIBUTION TRANSFORMER

OUT LINE



NO	DESCRIPTION	NO	DESCRIPTION
1	HV BUSHING	13	LIQUID TEMPERATURE INDICATOR
3	LV BUSHING	14	BASE WELDED TO TANK
5	RADIATORS	15	LIFTING LUGS
6	CONTROL BOX	16	LIFTING HOOKS
7	UPPER FILTERING VALVE	17	JACKING PAD
8	OIL DRAIN VALVE	18	GROUNDING PAD
9	PRESSURE RELIEF DEVICE	19	HAND HOLE
10	COOLING FANS	20	NAME PLATE
11	DE-ENERGIZED TAP CHANGER	21	HV FLANGE
12	LIQUID LEVEL INDICATOR	22	LV FLANGE

HAN CHANG TRANSFORMER

**2500 / 3125 kVA, 16500 Delta / 600 Star volts,
DISTRIBUTION TRANSFORMER**

Ref. Photos



INQUIRY

REPUBLIC OF KOREA

Mr. Michael Jang

michael@transformerprice.com

CHICAGO, IL, US

Mr. Lee Han

hanstar912@gmail.com

LONG BEACH, CA, US

Mr. Gary Roberts

gdr97504@gmail.com

Republic of Korea
1593-3 Songjung-dong,
Ganseo-gu, Busan
Phone: +82 51 831 3470
Fax: +82 51 831 3477
www.hctr.co.kr



© 2013 Hanchang Transformer co. Ltd. All rights reserved. The information in this publication is provided without any express or implied representation or warranty in relation to any contract which

any of the information in this publication.



ISO 9001
ISO 14001

HCTR.CO.KR