



**3000kVA,
23000 / 400V
Pad Transformer
By ANSI**

www.hctr.co.kr

HAN CHANG TRANSFORMER

3000kVA, 23000 Delta volts – 400 Star volts, PAD TRANSFORMER

Technical Specification

Applicable standard	ANSI C57.12.00
Final paint color	MUNSELL # 7.0GY-3.29/1.5
Insulating oil	Mineral Oil
Rated capacity	3000 kVA
Phase/Rated frequency	3P / 50Hz
Rated voltage H.V	23000V Delta
Rated voltage L.V	400V Star
Tap voltage	5 TAPS
Tap changing method	De-energized Tap Changer
Connection or polarity	Dyn1
Cooling method	ONAN
Efficiency	98.94%

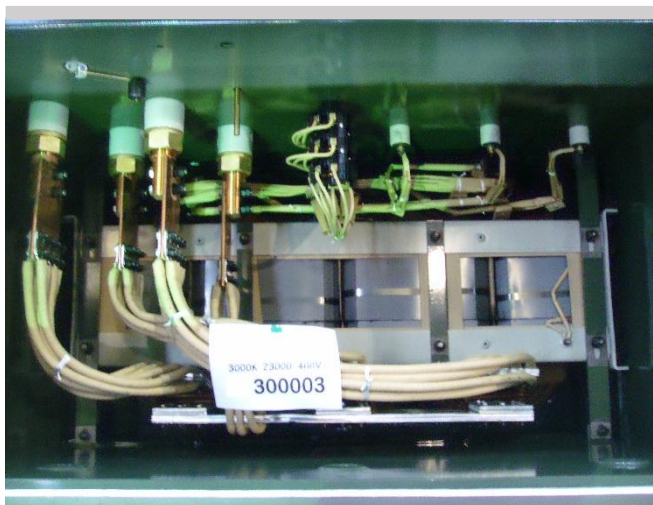
Size

Length	104.1 inch
Width	74.9 inch
Height	75.7 inch

Weight

Oil	508 gal
Total	17220 lbs

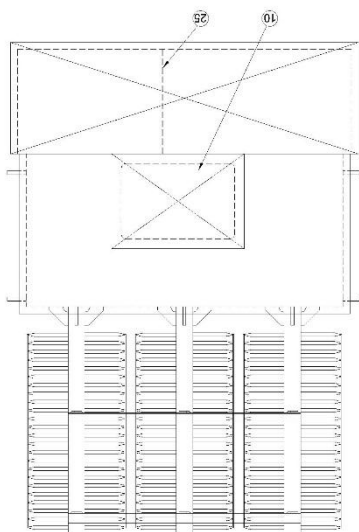
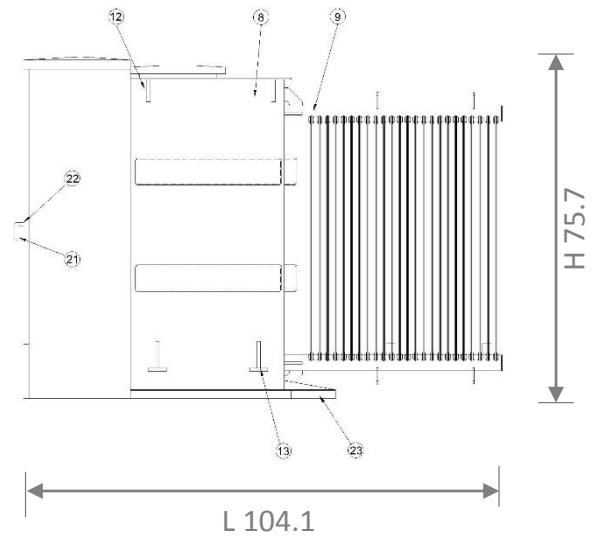
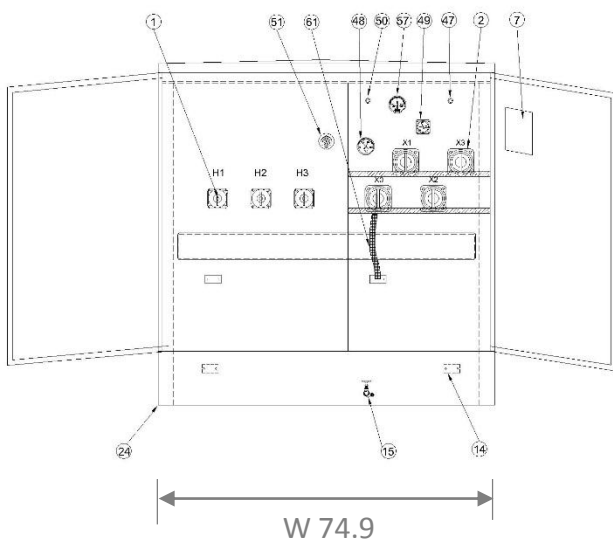
Core & Coil



HAN CHANG TRANSFORMER

3000kVA, 23000 Delta volts – 400 Star volts,
PAD TRANSFORMER

OUT LINE



NO	DESCRIPTION	NO	DESCRIPTION
1	HV BUSHING (2 HOLES SPADE)	22	3 PT LATCH PENTA SEC BOLT
2	LV BUSHING (10 HOLES SPADE)	23	BASE SUPPORT
7	NAME PLATE	24	REMOVABLE SILL
8	TANK	25	METAL LV-HV BARRIER
9	COOLING RADIATORS	47	PRESSURE RELIEF VALVE
10	HAND HOLE & SECURITY COVER	48	DIAL TYPE THERMOMETER
12	LIFTING LUGS	49	LIQUID LEVEL GAUGE
13	JACKING PAD	50	1' FILLING VALVE
14	2 HOLE HORIZ NEMA GRD PAD	51	TAP CHANGER
15	2' DRAIN VALVE WITH SAMPLER	57	PRESSURE VACUUM GAUGE
21	PAD LOCKABLE DOOR HANDLE	61	REMOVABLE GROUND STRAP

HAN CHANG TRANSFORMER

3000kVA, 23000 Delta volts – 400 Star volts,
PAD TRANSFORMER

Ref. Photos



INQUIRY

REPUBLIC OF KOREA

Mr. Michael Jang

michael@transformerprice.com

CHICAGO, IL, USA

Mr. Lee Han

hanstar912@gmail.com

LONG BEACH, CA, USA

Mr. Gary Roberts

gdr97504@gmail.com

Republic of Korea

1593-3 Songjung-dong,

Ganseo-gu, Busan

Phone: +82 51 831 3470

Fax: +82 51 831 3477

www.hctr.co.kr



© 2013 Hanchang Transformer co.,ltd. All rights reserved. The information in this publication is provided without any express or implied representation or warranty in relation to any contract which may be entered into. Hanchang shall not be responsible for any loss or damage of whatsoever nature [including consequential loss or damage] suffered or incurred, directly or indirectly, by the reader or any other person as a result of relying on the information contained in this publication.



Quality
ISO 9001
ISO 14001

hctr.co.kr