

2/2.5MVA 22000-433V MOLD TRANSFORMER

By IEC

www.hctr.co.kr



HAN CHANG

2/2.5MVA, 22000V DELTA – 433V YWE MOLD TYPE TRANSFORMER

SPECIFICATION

Applicable standard	IEC 60076-11
Panel of outcase	IP23
Rated capacity	2000/2500 kVA
Phase/Rated frequency	3P / 50Hz
Rated voltage H.V	22000V DELTA
Rated voltage L.V	433V WYE
Tap voltage	5 TAPS ($\pm 5 \times 2.5\%$)
Tap changing method	NLTC
Connection or polarity	Dyn11
Cooling method	ANAF
Efficiency	99.19%
Impedance	6%

SIZE

Length	1600 mm
Width	2500 mm
Height	2600 mm

WEIGHT

Core&Coil	5580 kg
Panel	710 kg
Total	6290 kg

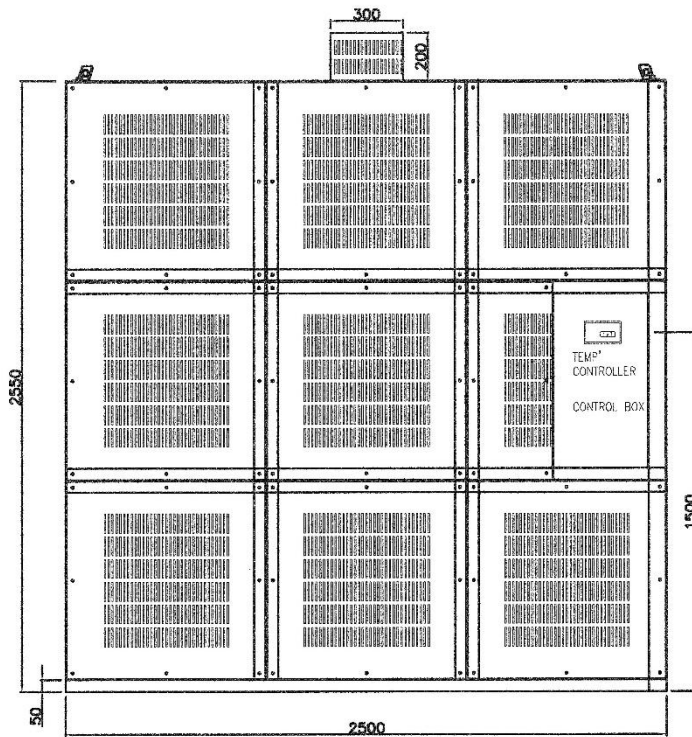
CORE & COIL



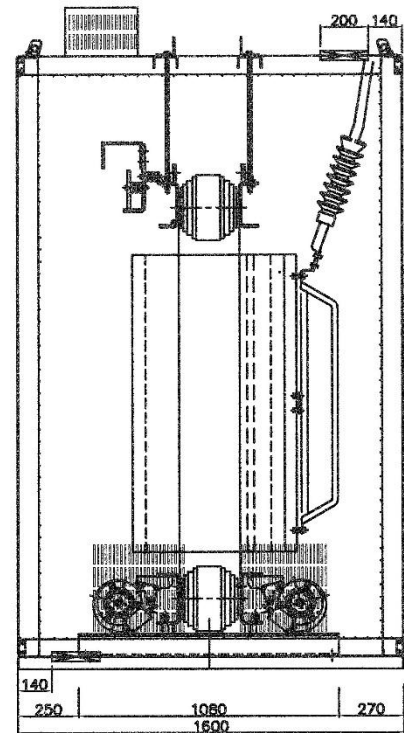
HAN CHANG

2/2.5MVA, 22000V DELTA – 433V YWE MOLD TYPE TRANSFORMER

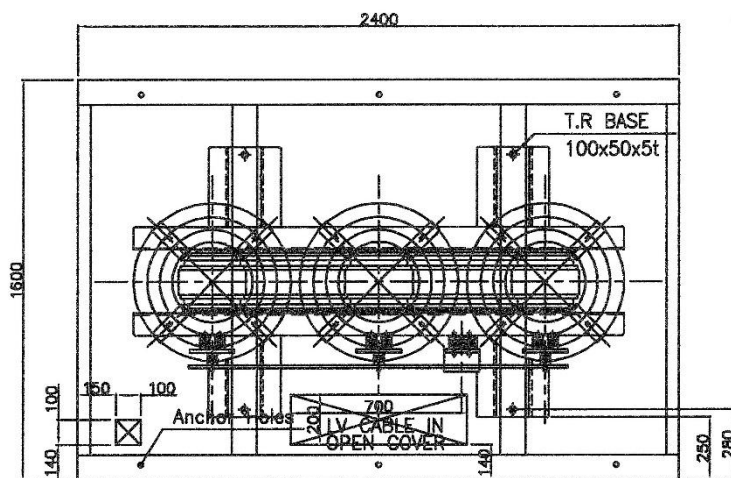
OUT LINE



Front view



Side view



Top view

PRODUCT VIEW



INQUIRY

Mr. Lee Han
hanstar912@gmail.com

Mr. Taeyoung Kim
taeyoung@hctr.co.kr

Mr. Michael Jang
michael@transformerprice.com



Republic of Korea
1593-3 Songjung-dong,
Ganseong-gu, Busan
Phone: +82 51 831 3470
Fax: +82 51 831 3477

www.hctr.co.kr

© 2013 Hanchang Transformer co.,ltd. All rights reserved. The information in this publication is provided without any express or implied representation or warranty in relation to any contract which may be entered into. Hanchang shall not be responsible for any loss or damage of whatsoever nature [including consequential loss or damage] suffered or incurred, directly or indirectly, by the reader or any other person as a result of relying on the information contained in this publication.



Quality
ISO 9001
ISO 14001

TRANSFORMER PRICE LIST