



HAN CHANG TRANS



300kVA, 500kVA
22900-380V

Sealed Type
TRANSFORMER

www.hctr.co.kr

By IEC

HAN CHANG

300kVA, 22900V DELTA – 380V YWE SEALED TYPE TRANSFORMER

SPECIFICATION

Applicable standard	IEC 60076
Final paint color	Munsell # 5Y 7/1
Insulating oil	Mineral
Rated capacity	300 kVA (winding temp rise 65°C)
Phase/Rated frequency	3P / 60Hz
Rated voltage H.V	22900V DELTA
Rated voltage L.V	380V WYE
Tap voltage	5 TAPS (23900-22900-21900-20900-19900)
Tap changing method	NLTC
Connection or polarity	Dyn11
Cooling method	ONAN
Efficiency at 50%	98.4%

SIZE

Length	930 mm
Width	1350 mm
Height	1520 mm

WEIGHT

Core&Coil	390 kg
Tank	458kg
Oil	280 liter
Total	1086 kg

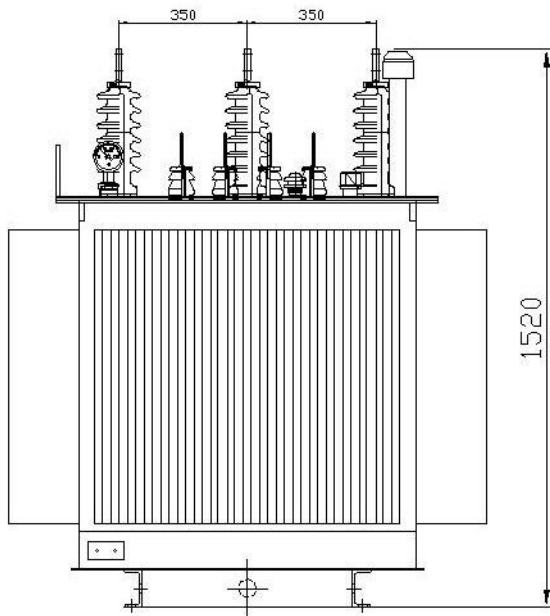
CORE & COIL



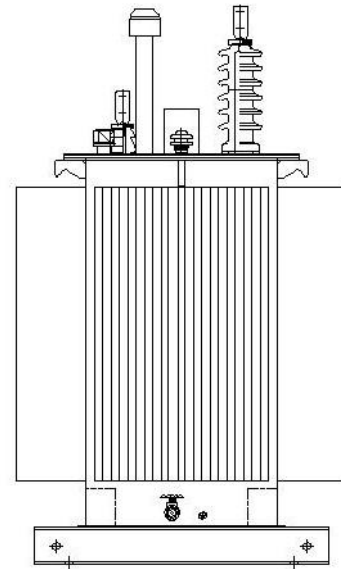
HAN CHANG

300kVA, 22900V DELTA – 380V YWE SEALED TYPE TRANSFORMER

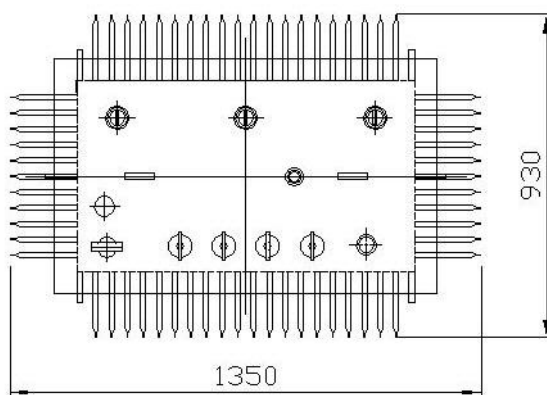
OUT LINE



Front view



Side view



Top view

PRODUCT VIEW



HAN CHANG

500kVA, 22900V DELTA – 380V YWE SEALED TYPE TRANSFORMER

SPECIFICATION

Applicable standard	IEC 60076
Final paint color	Munsell # 5Y 7/1
Insulating oil	Mineral
Rated capacity	500 kVA (winding temp rise 65°C)
Phase/Rated frequency	3P / 60Hz
Rated voltage H.V	22900V DELTA
Rated voltage L.V	380V WYE
Tap voltage	5 TAPS (23900-22900-21900-20900-19900)
Tap changing method	NLTC
Connection or polarity	Dyn11
Cooling method	ONAN
Efficiency at 50%	98.4%

SIZE

Length	1320 mm
Width	1700 mm
Height	1600 mm

WEIGHT

Core&Coil	510 kg
Tank	722 kg
Oil	440 liter
Total	1606 kg

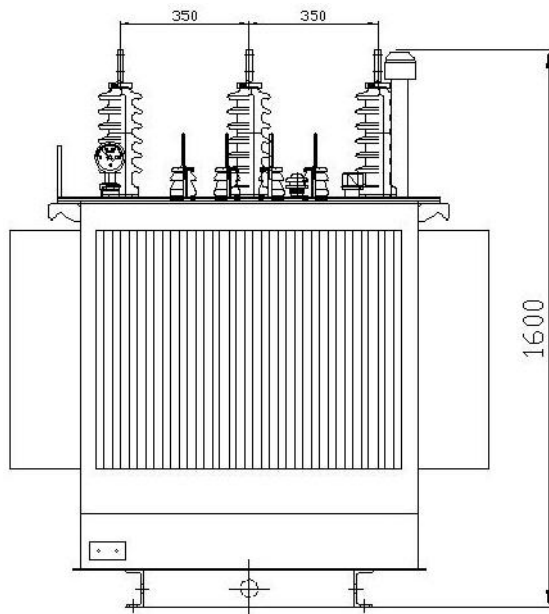
CORE & COIL



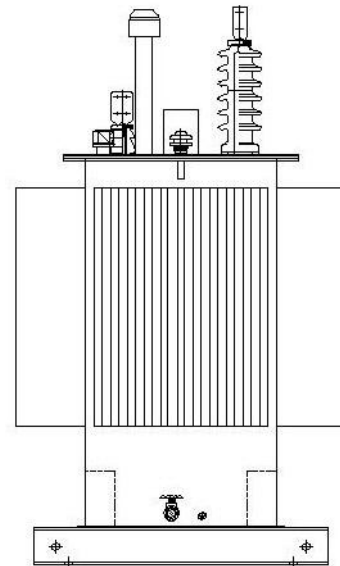
HAN CHANG

500kVA, 22900V DELTA – 380V YWE SEALED TYPE TRANSFORMER

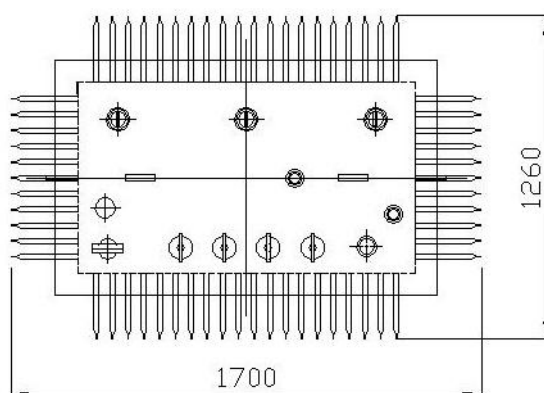
OUT LINE



Front view



Side view



Top view

PRODUCT VIEW



INQUIRY

Sales@hctr.co.kr

Michael@transformerprice.com

Taeyoung@hctr.co.kr



Republic of Korea
1593-3 Songjung-dong,
Ganseong-gu, Busan

Phone: +82 51 831 3470

Fax: +82 51 831 3477

www.hctr.co.kr

© 2013 Hanchang Transformer co.,ltd. All rights reserved. The information in this publication is provided without any express or implied representation or warranty in relation to any contract which may be entered into. Hanchang shall not be responsible for any loss or damage of whatsoever nature [including consequential loss or damage] suffered or incurred, directly or indirectly, by the reader or any other person as a result of relying on the information contained in this publication.



Quality
ISO 9001
ISO 14001

hctr.co.kr